

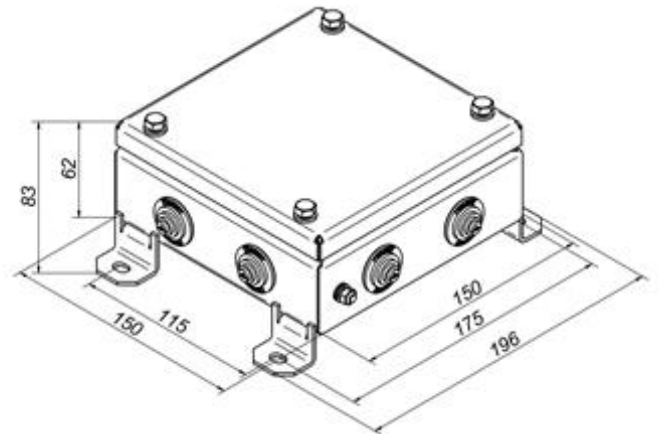


EJBG1515M IP54

Junction boxes datasheet

EJBG1515M IP54 (10 UT4)

Din rail;
Terminals: Phoenix Contact UT4; 10 pcs
Cable glands 8 pcs.
Diameter of a connected cable 4-17 mm²



A box consists of a frame, a cap with a gasket and fittings. There is a Din rail for connection of clamps installed inside the box. Grounding is provided via a grounding clamp according to GOST 12.2.007.

Structure of nomenclature:

EJBG 1515 M IP54 (10 UT4)

- designation **EJBG**
- nominal size of the body **150x150**
- material of the body **M-steel3**
- protection degree **IP54**
- quantity of terminals **12/10/7**
- type of terminals **UT2,5/UT4/UT6**

Table A

Operating temperature	$-40^{\circ}\text{C} \leq T_a \leq +60^{\circ}\text{C}$
Nominal voltage, V	600

Table B

Nominal size of the body	Type of terminals	Nominal cross-section, mm^2	Nominal current, A	Maximum quantity of terminals	Weight* for IP54, not more, kg	Weight* for IP66, not more, kg
1515	UT2,5	2,5	24	12	1,26	1.45
	UT4	4	32	10		
	UT6	6	41	7		
	UT10	10	57	6		

Table C

Terminal	Nominal cross-section, mm^2	Cable cross-section, mm^2	Maximum load current, A	Nominal current, A	Pull-off length, mm	Torque value, Nm
UT2,5	2,5	0,14 - 4	32 (for cable with cross-section 4 mm^2)	24	9	0,5-0,6
UT4	4	0,14 - 6	41 (for cable with cross-section 6 mm^2)	32	9	0,6-0,8
UT6	6	0,2 - 10	57 (for cable with cross-section 10 mm^2)	41	10	1,5-1,8
UT10	10	0,5 - 16	76 (for cable with cross-section 16 mm^2)	57	10	1,5-1,8

The body from structural carbon steel.

Galvanized cover with phosphating and polymeric cover RAL2003.

All the outside fittings are made from stainless steel 08X18H10 or the same one

Sealing gaskets are made from silicon rubber: "Silicon mixture NLS-40-VK50".

Powder paint "Interpon" is used for painting

Cable glands are made from silicon rubber "Silicon mixture NLS-60-VK50".