



## EJBG1515S IP66

### Junction boxes datasheet

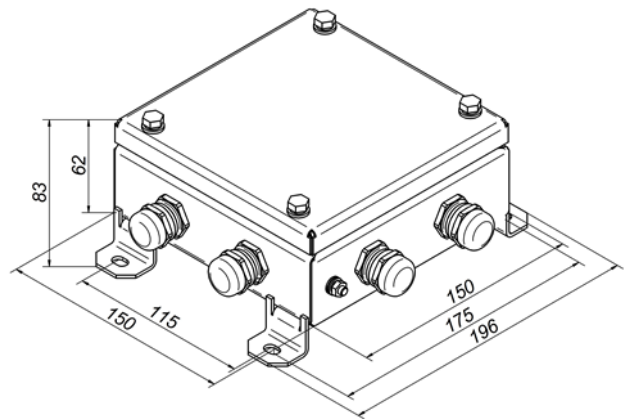
#### EJBG1515S IP66 (10 UT4) 8(6-12)

Din rail;

Terminals: Phoenix Contact UT4; 10 pcs

Cable glands 8 pcs. RST M20x1,5

Diameter of a connected cable 6-12 mm<sup>2</sup>



A box consists of a frame, a cap with a gasket and fittings. There is a Din rail for connection of clamps installed inside the box. Grounding is provided via a grounding clamp according to GOST 12.2.007.

#### Structure of nomenclature:

#### EJBG 1515 S IP66 (10 UT4) 8 (6-12)

- designation **EJBG**
- nominal size of the body **150x150**
- material of the body **stainless steel**
- protection degree **IP66**
- quantity of terminals **12/10/7**
- type of terminals **UT2,5/UT4/UT6**
- quantity of cable glands **8 pcs**
- diameter of connected cable **6-12mm<sup>2</sup>**

**Table A**

Operating temperature	$-40^{\circ}\text{C} \leq T_a \leq +60^{\circ}\text{C}$
Nominal voltage, V	600

**Table B**

Nominal size of the body	Type of terminals	Nominal cross-section, mm <sup>2</sup>	Nominal current, A	Maximum quantity of terminals	Weight for IP54, not more, kg	Weight for IP66, not more, kg
1515	UT2,5	2,5	24	12	1,26	1.45
	UT4	4	32	10		
	UT6	6	41	7		
	UT10	10	57	6		

**Table C**

Terminal	Nominal cross-section, mm <sup>2</sup>	Cable cross-section, mm <sup>2</sup>	Maximum load current, A	Nominal current, A	Pull-off length, mm	Torque value, Nm
UT2,5	2,5	0,14 - 4	32 (for cable with cross-section 4 mm <sup>2</sup> )	24	9	0,5-0,6
UT4	4	0,14 - 6	41 (for cable with cross-section 6 mm <sup>2</sup> )	32	9	0,6-0,8
UT6	6	0,2 - 10	57 (for cable with cross-section 10 mm <sup>2</sup> )	41	10	1,5-1,8
UT10	10	0,5 - 16	76 (for cable with cross-section 16 mm <sup>2</sup> )	57	10	1,5-1,8

The body from stainless steel 08X18H10 (AISI304).

All the outside fittings are made from stainless steel 08X18H10 or the same one

Sealing gaskets are made from silicon rubber: "Silicon mixture NLS-40-VK50".

Cable glands RST (Stainless steel 1. 4305)