

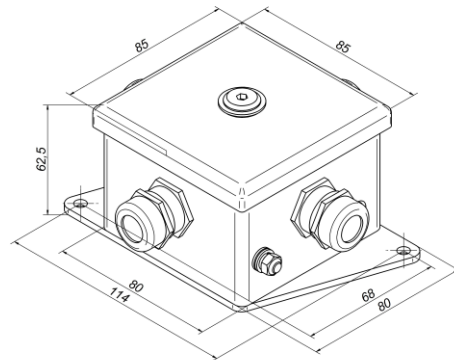


JBG0808M IP66

Fireproof steel coated junction box

JBG0808M IP66 (8*2,5)

WERIT terminal blocks 2x2.5 (8 contacts);
RST M20x1,5 cable glands – 4pcs.;
diameter of connected cable 6-12 mm²



A box consists of a frame, a cap with a gasket and fittings. There are clamps installed inside the box for connection of terminal blocks. Grounding is provided via a grounding clamp according to GOST 12.2.007.

Structure of nomenclature:

JBG 0808 M IP66 (8 * 2,5) 4 (6-12)

- designation JBG
- size of the body 80x80 /150x150
- material of the body M-steel3
- protection degree IP66
- quantity of contacts of terminals 8/16
- type of terminals WERIT 2,5
- quantity of cable glands 4 pcs
(not mentioned in standard equipment)
- diameter of connected cable 6-12 mm
(not mentioned in standard equipment)

Table A

Operating temperature	$-40^{\circ}\text{C} \leq T_a \leq +100^{\circ}\text{C}$
Nominal voltage, V	450

Table B

WERIT ceramic (porcelain) terminal technical characteristic

Terminal block	Nominal cross-section, mm^2	Nominal current, A	Nominal voltage, V
2x2,5 article 12021200	2,5	24	450
2x4,0 article 12221200	4,0	32	450
2x6,0 article 12321200	6,0	41	450
2x10 article 12421200	10	57	450

Table C

Quantity of WERIT ceramic terminal blocks

Size of the body	Type of terminal block	Max. quantity of terminal blocks
1515	2x2,5 article 12021200	16
	2x4,0 article 12221200	
	2x6,0 article 12321200	
	2x10 article 12421200	

Are marked with WERIT marking and VDE and 450V

The body is made from structural carbon steel

Galvanized cover with phosphating and polymeric cover RAL2003.

Coated with powder compound Interpon

All the outside fittings are made from stainless steel 08X18H10 or the same one

Sealing gaskets are made from silicon rubber: "Silicon mixture NLS-40-VK50".

Cable glands RST (Nickel Plated Brass)