

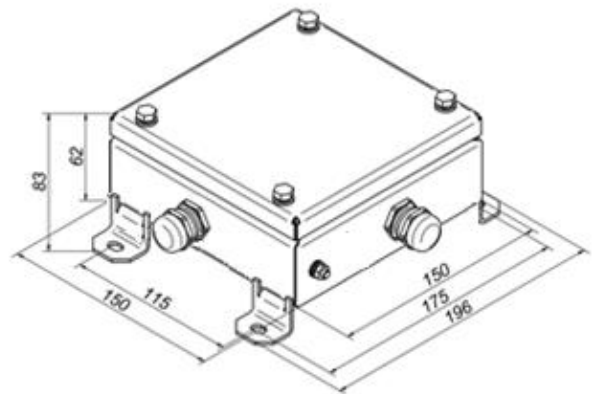


## JBG1515 S IP66

### Fireproof stainless steel junction box

#### JBG1515 S IP66 (16x\*2,5)

WERIT terminal blocks 2x2.5 (16 contacts);  
RST M20x1,5  
Cable glands – 4 pcs.  
Stainless steel;  
Diameter of connected cable 6-12 mm<sup>2</sup>



A box consists of a frame, a cap with a gasket and fittings. There are clamps installed inside the box for connection of terminal blocks. Grounding is provided via a grounding clamp according to GOST 12.2.007.

#### Structure of nomenclature:

**JBG 1515 S IP66 (16 \* 2,5) 4 (6-12)**

- designation JBG
- side of the body 150x150
- material of the body stainless steel
- protection cover IP66
- quantity of contacts of terminals 16
- types of terminal blocks WERIT2,5
- quantity of cable glands 4 pcs
- diameter of connected cable 6-12 mm<sup>2</sup>

**Table A**

Operating temperature	$-40^{\circ}\text{C} \leq T_a \leq +100^{\circ}\text{C}$
Nominal voltage, V	450

**Table B**

WERIT ceramic (porcelain) terminal technical characteristic

Terminal block	Nominal cross-section , mm <sup>2</sup>	Nominal current, A	Nominal voltage, V
2x2,5 article 12021200	2,5	24	450
2x4,0 article 12221200	4,0	32	450
2x6,0 article 12321200	6,0	41	450
2x10 article 12421200	10	57	450

**Table C**

Quantity of WERIT ceramic terminal blocks

Size of the body	Type of terminal block	Max. quantity of terminal blocks
1515	2x2,5 article 12021200	16
	2x4,0 article 12221200	
	2x6,0 article 12321200	
	2x10 article 12421200	

Are marked with WERIT marking and VDE and 450V

The body from stainless steel.

Galvanized cover with phosphating and polymeric cover RAL2003.

All the outside fittings are made from stainless steel 08X18H10 or the same one

Sealing gaskets are made from silicon rubber: "Silicon mixture NLS-40-VK50".

Cable glands RST (Stainless steel)